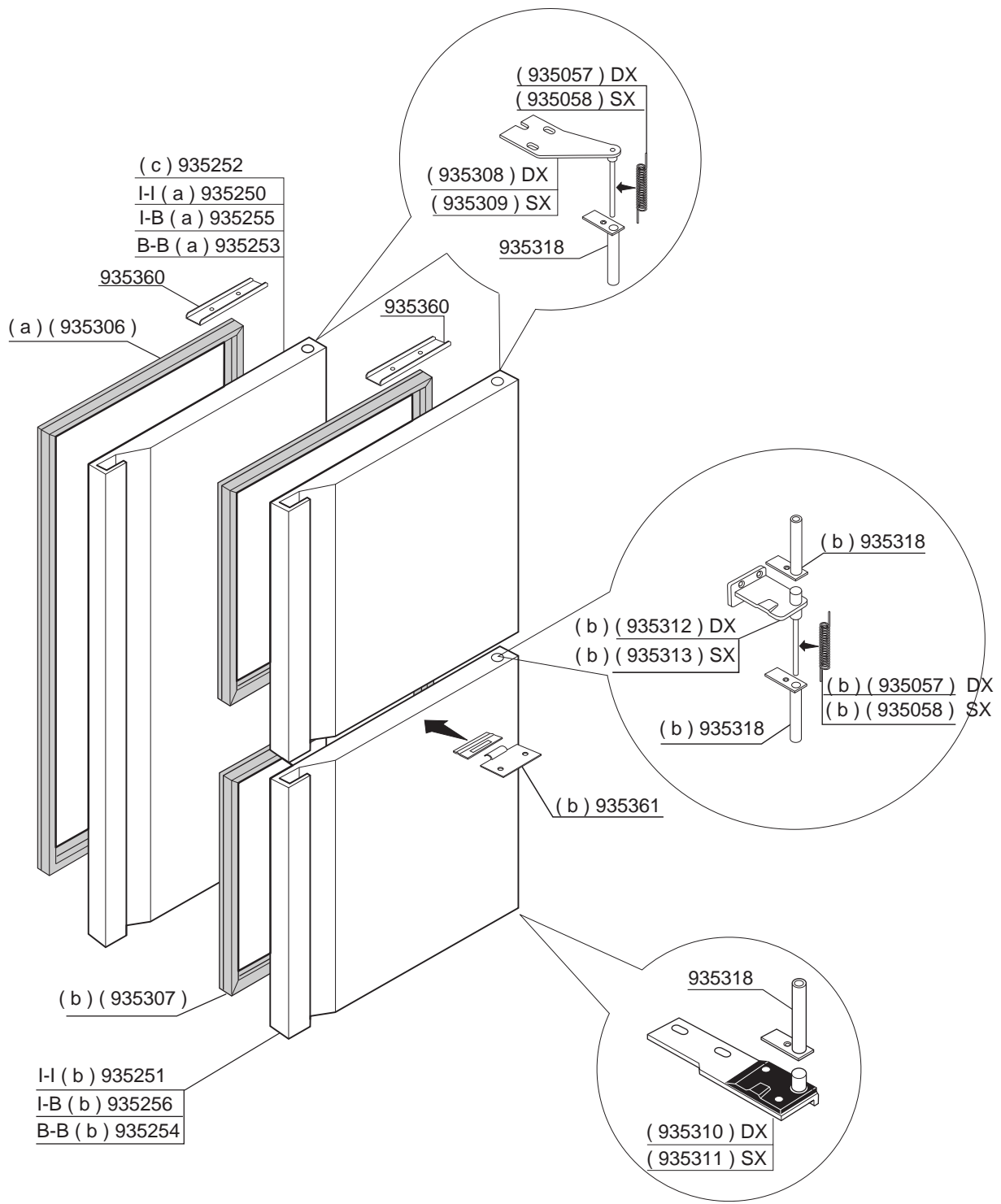


● GN 2/1 - GN 2/1
○ GN 2/1 - RIDOTTO - GN 2/1 REDUCED

* 995011-995012 -> F20070927000020
* F20070927000020 -> 930269

(.....) **RICAMBIO CONSIGLIATO**
(.....) **SUGGESTED SPARE-PARTS**

ARMADIO PER PASTICCERIA CONFECTIONERY REFRIGERATING CABINET	RIF. REF.	Da matricola n° From serial n°
		930302/113
 33083 TAIEDO DI CHIONS PORDENONE - ITALY	RIPRODUZIONE, ANCHE PARZIALE, VIETATA ESP1001-(02)	

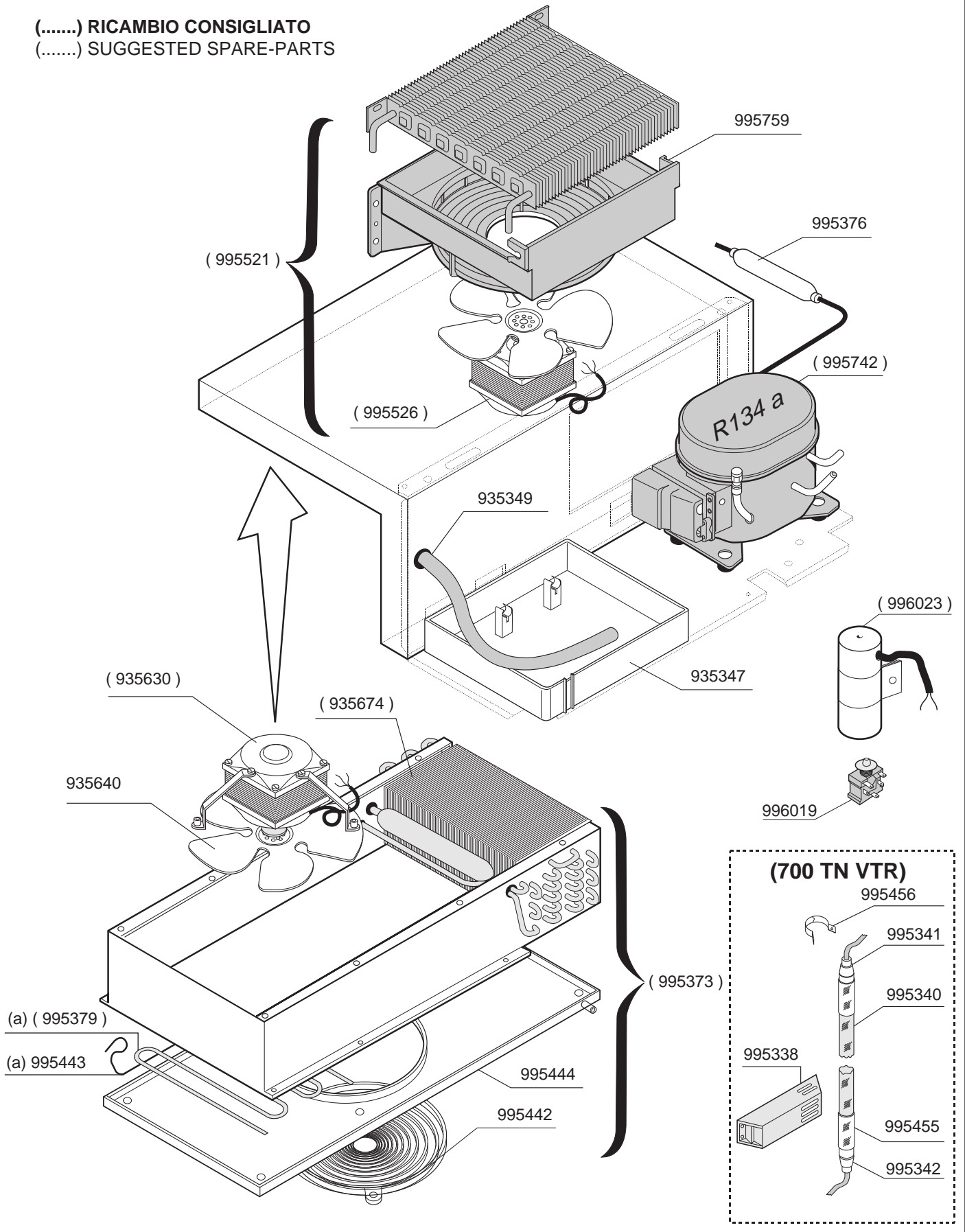


(I) = INOX - STAINLESS/STEEL
 (B) = BIANCO - WHITE

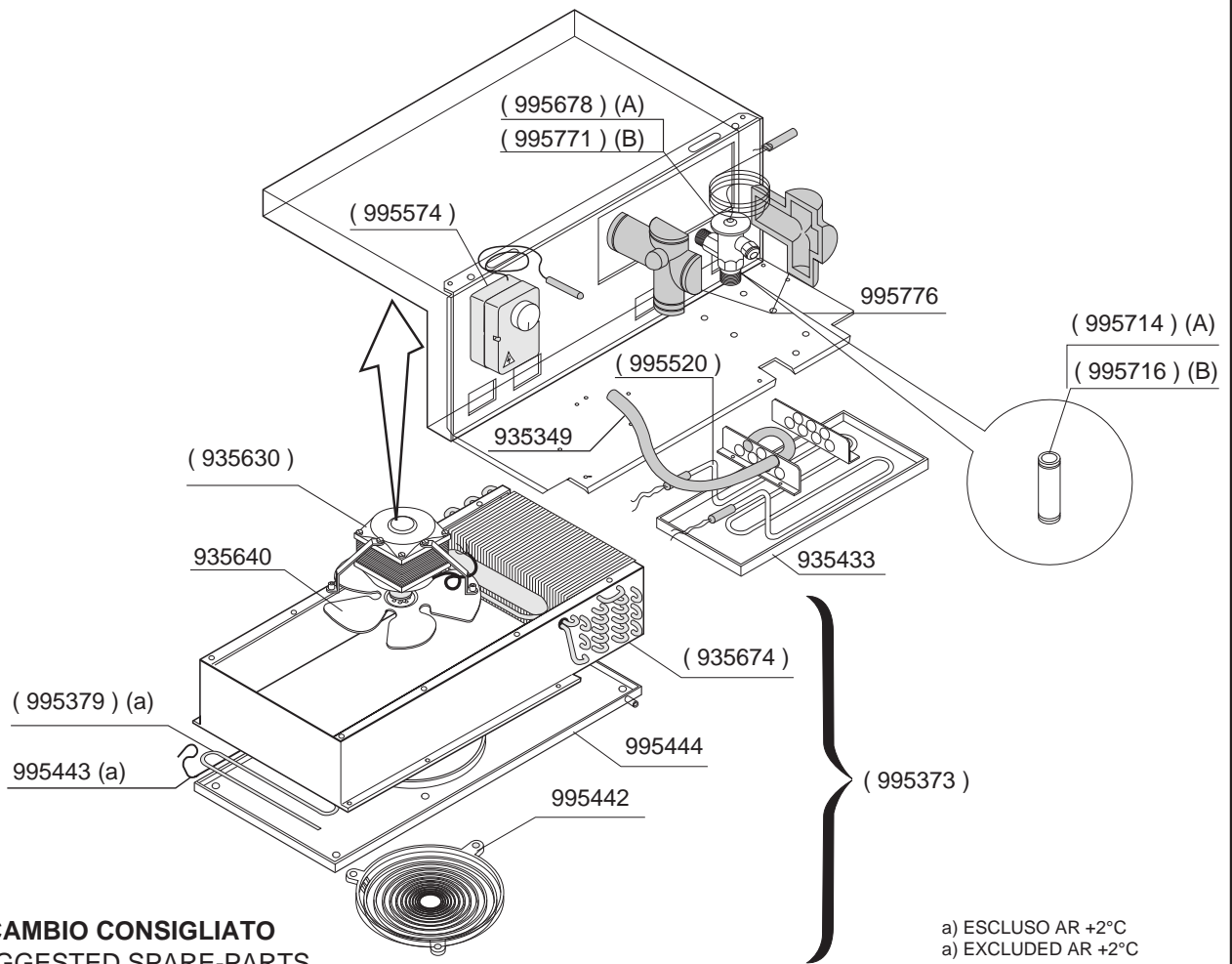
(.....) **RICAMBIO CONSIGLIATO**
 (.....) **SUGGESTED SPARE-PARTS**

PORTE CIECHE SOLID DOORS		RIF. REF.	Da matricola n° From serial n°
a	PORTA INTERA FULL DOOR		930302/113
b	PORTA MEZZA HALF DOOR		
c	PORTA INTERA PASTICCERIA PROFONDITA' 700 - FULL DOOR CONFECTIONERY DEPTH 700		
friulinox 33083 TAIEDO DI CHIONS PORDENONE - ITALY		RIPRODUZIONE, ANCHE PARZIALE, VIETATA	
			ESP1001-(11)

(.....) RICAMBIO CONSIGLIATO
 (.....) SUGGESTED SPARE-PARTS

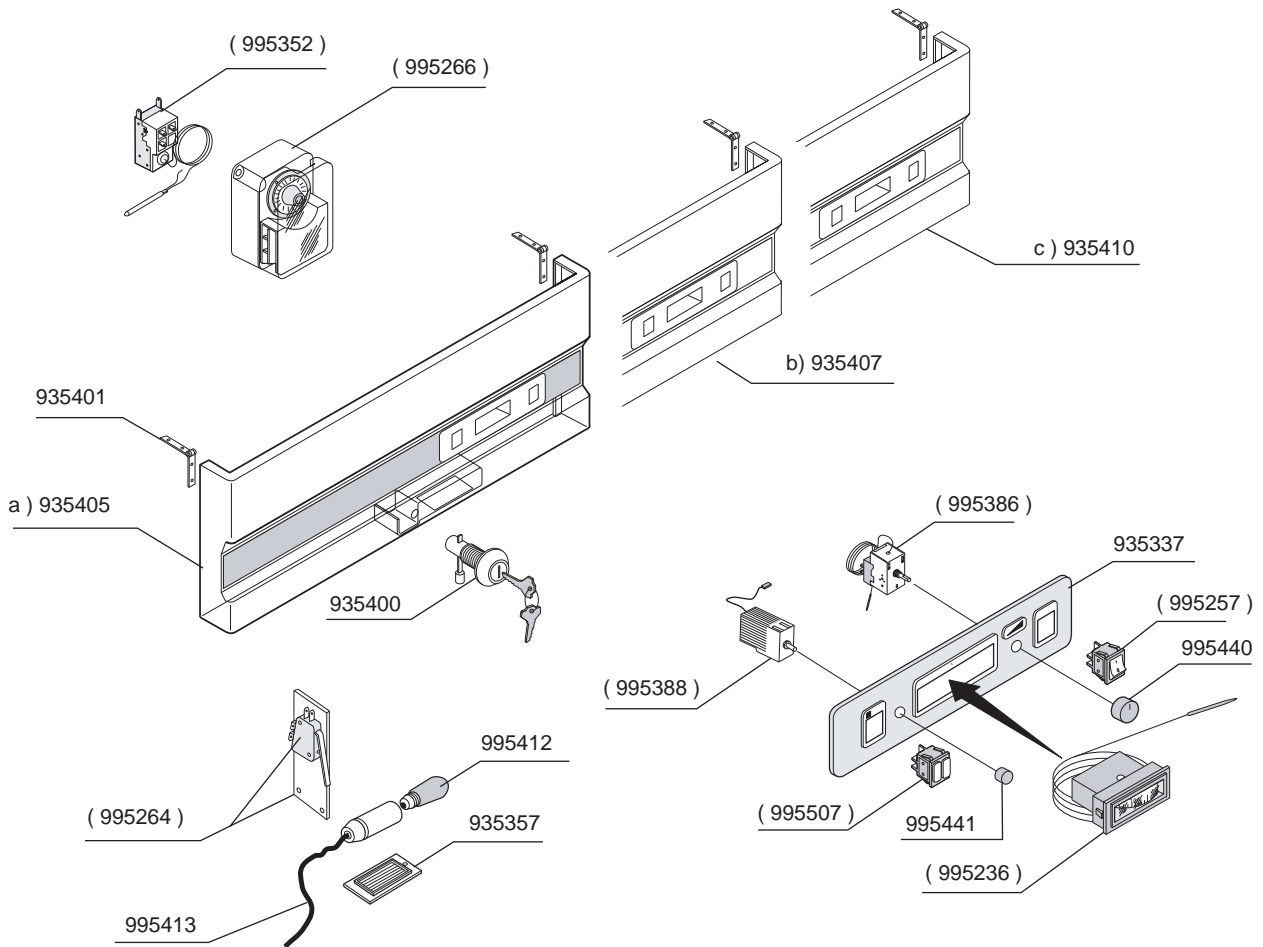


IMPIANTO FRIGO "700 TN"/ "700 TN VTR" "700 TN CON CASSETTI"/"TN 750" REFRIGERATED UNIT "700 NT" / "700 NT VTR" / "700 NT WITH DRAWERS"/"NT 750"		RIF. REF.	Da matricola n° From serial n°
a	ARMADIO REFRIGERATO (-2/+8°C) REFRIGERATED CABINET (-2/+8°C)	R 134a	960708/109



ARMADI 1 TEMPERATURA ONE TEMPERAT.CABINETS			ARMADI 2 TEMPERATURE TWO TEMPERAT.CABINETS						ARMADI 3 TEMPERATURE THREE TEMP.CABINETS					
AR6 +2	A	A	ARR122	①	A	A	ARP141	①	A	A	ARRP	①	A	A
AR6 -2	A	A		②	A	A		②	A	A		②	/	/
AR6 PA	A	A	ARP122	①	A	A	ARF141	①	A	A		③	/	/
AR6 +2 VTR	A	A		②	A	A		②	A	B	ARRF	①	A	A
AR6 -2 VTR	A	A	ARF122	①	A	A	AFP141	①	B	B		②	/	/
AP6 -4	A	A		②	B	A		②	A	A		③	/	/
AF6 -20	A	A	AFP122	①	B	A	ARR142 VTR	①	A	A	ARRR21	①	A	A
AF6 PA	A	A		②	A	A		②	A	A		②	A	A
AR7 +2	A	A	ARR142	①	A	A	ARF142 VTR	①	A	A		③	A	A
AR7 -2	A	A		②	A	A		②	/	/		①	A	A
AR7 +2CAS	A	A	ARP142	①	A	A	ARR212	①	/	/	ARRP21	②	A	A
AR7 -2 CAS	A	A		②	A	A		②	A	A		③	A	A
AR7 +2 VTR	A	A	ARF142	①	A	A	ARP212	①	/	/	ARRF21	①	A	A
AR7 -2 VTR	A	A		②	B	B		②	A	A		②	A	A
AR7 PIZ	A	A	AFP142	①	B	B	ARF212	①	/	/		③	B	B
AR7 S/V	A	A		②	A	A		②	B	B		①	A	A
AR7 PA	A	A	ARP121	①	A	A	ARP211	①	/	/	ARFP21	②	B	B
AP7 -4	A	A		②	A	A		②	A	A		③	A	A
AP7 -4 CAS	A	A	ARF121	①	A	A	ARF211	①	/	/	ARRF21 VTR	①	A	A
AE7	A	A		②	A	A		②	B	B		②	A	A
AF7 -25	B	B	AFP121	①	B	A	ARR212 VTR	①	/	/		③	/	/
AF7 PA	B	B		②	A	A		②	A	A				
			ARR141	①	A	A	ARF VTR	①	/	/				
				②	A	A		②	/	/				

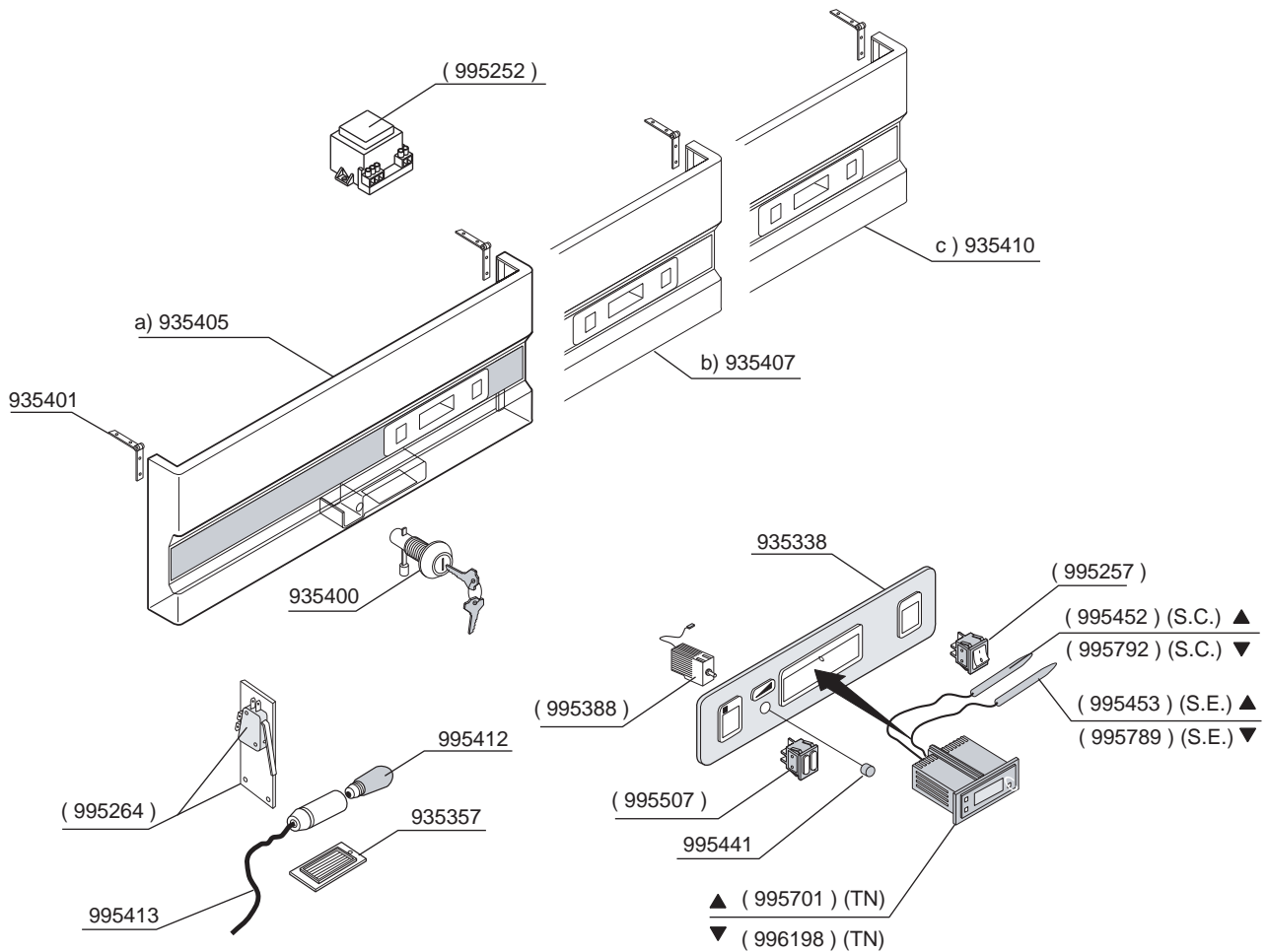
UNITA' EVAPORATRICE ARMADI PREDISPOSTI EVAPORATING UNIT OF REMOTE CONTROLLED REFR.CABINETS		RIF. REF.	Da matricola n° From serial n°
		R134a R404A	951016/111



- a) AR 600/AR 700
- b) AR 1200/AR 1400
- c) AR 2100

(.....) RICAMBIO CONSIGLIATO
(.....) SUGGESTED SPARE-PARTS

PANNELLO COMANDI ARMADIO"AR"PASTICCERIA / STATICO VENTILATO MECCANICO		RIF.	Da matricola n°
CONTROL PANEL FOR "NORMAL TEMP." MECH.CONFECTIONERY STATIC/AIR FORCED CABINET		REF.	From serial n°
			930302/113



- a) AR 600/AR700
- b) AR 1200/AR 1400
- c) AR 2100

- ▲ S.E - SONDA EVAPORATORE (ROSSA) - EVAPORATOR PROBE (RED)
- S.C. - SONDA CELLA (GRIGIA) - CELL PROBE (GREY)
- ▼ S.E - SONDA EVAPORATORE (BLACK - DEF) - EVAPORATOR PROBE (BLACK-DEF)
- S.C. - SONDA CELLA (NERA - THERM) - CELL PROBE (BLACK-THERM)

(.....) **RICAMBIO CONSIGLIATO**
 (.....) **SUGGESTED SPARE-PARTS**

PANNELLO COMANDI "AR PASTICCERIA" STATICI VENTILATI ELETTRONICO
 CONTROL PANEL FOR ELECTR. "CONFECTIONERY" STATIC/AIR FORCED REFR.CABINET

RIF. REF. Da matricola n°
 From serial n°

EWPC 950904/111
 ▲ 20030530000099
 ▼ 20030603000001

